

*MINIATURE
REGENERATIVE DESICCANT*
AIR DRYERS



MDH SERIES



**TWIN TOWER
ENGINEERING, INC.**

Design Features:

- Miniature design requires minimum space in OEM equipment.
- Uniquely sized for point-of use or with fractional horsepower air compressors.
- Continuous dry air output of -40°F dew point (0°F or -100°F also available)
- Power consumption is 6 watts or less.
- Solid state timer with built in memory for accurate switching control.
- Two minute cycle reduces valve wear and desiccant shock.
- Non-plugging and non-corroding purge mufflers.
- Precision orifice to control purge flow.

Typical Applications:

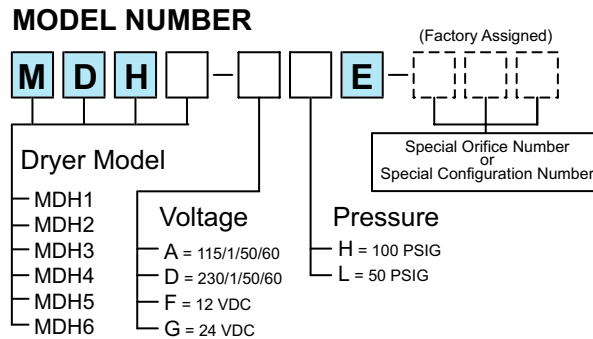
| | | |
|------------------------|-------------------------|--------------------------|
| Air Bearings | Dry Sprinkler Systems | NMR Spectroscopy |
| Air Brushing | Electronic Chip Testing | Outdoor Air Lines |
| Air Operated Pumps | Environmental Chambers | Outdoor HVAC Controls |
| Air Turbines | FTIR Spectrometers | Ozone Generators |
| Antenna Pressurization | Gas Chromatographs | Pneumatic Automation |
| Car Wash Controls | Graphic Printers | Robotic Machinery |
| CEMS Systems | Laboratory Analyzers | Vortex Tubes |
| Dental Compressors | | Waveguide Pressurization |

Specifications:

| MODEL NUMBER | MDH1 | MDH2 | MDH3 | MDH4 | MDH5 | MDH6 |
|-------------------------------------------|------|------|------|------|------|------|
| Flow Capacities at 100 PSIG (SCFM) | | | | | | |
| Inlet Flow | .40 | .80 | 1.10 | 1.60 | 2.40 | 3.20 |
| Purge Flow | .10 | .20 | .27 | .40 | .60 | .80 |
| Outlet Flow | .30 | .60 | .83 | 1.20 | 1.80 | 2.40 |
| *Flow Capacities at 50 PSIG (SCFM) | | | | | | |
| Inlet Flow | .21 | .40 | .53 | .82 | 1.36 | 1.65 |
| Purge Flow | .09 | .18 | .23 | .36 | .62 | .71 |
| Outlet Flow | .12 | .22 | .30 | .46 | .74 | .94 |
| Inlet/Outlet Connections (npt) | | | | | | |
| | 1/8" | 1/8" | 1/8" | 1/8" | 1/4" | 1/4" |
| Dimensions (Inches) | | | | | | |
| Height | 7 | 10.3 | 8.8 | 10.1 | 9.5 | 11.4 |
| Width | 3.5 | 3.5 | 4 | 4 | 5 | 5 |
| Depth | 3.3 | 3.3 | 3.5 | 3.5 | 3.8 | 3.8 |
| Weight (Pounds) | | | | | | |
| | 1.4 | 1.5 | 1.6 | 1.9 | 2.2 | 3.1 |

*indicates flow capacities with orifice change

Model Selection:



Applications help is available
Call 1-800-700-8537.
We can recommend components for your dry air system design and customize our dryer design to fit your application.

- All Models:**
- Standard with purge muffler(s)
 - Maximum temperature: 120°F ambient
 - Maximum pressure: 120 PSIG
 - Outlet dew point: -40°F pressure dew point with 100°F saturated inlet (-100°F optional)
 - Recommended Filtration on inlet: 5.0 Micron filter and 0.01 Micron filter

To help preserve our natural resources, we have limited our catalog to these two pages and offer more detailed information on our website. Please visit us at www.airdryers.com to view this information.



TWIN TOWER ENGINEERING, INC.

P.O. BOX 879
2150 W. 6TH AVE., UNIT P
BROOMFIELD, CO 80020
TEL: 800-700-8537
FAX: 303-465-9294
www.airdryers.com