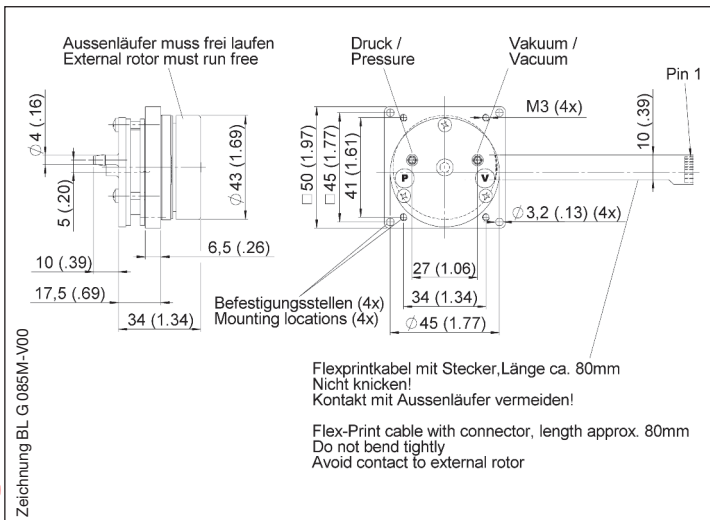
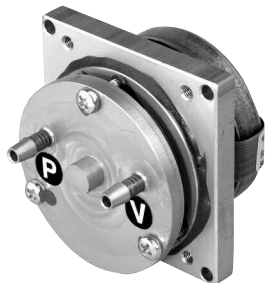


# Rotary Vane Pump BL-G 085 M

<b>Flow</b>	<b>8,5 l/min</b>
<b>Max. pressure</b>	<b>450 mbar</b>
<b>Max. vacuum</b>	<b>50 %</b>



## Pneumatic Data

Description	BL-G 12/085 M
Part number	50209
Max. flow	8,5 l/min
Max. intermittent pressure	450 mbar
Max. continuous pressure	150 mbar
Max. intermittent vacuum	50 %
Max. continuous vacuum	15 %

## Electrical Data

Motor type*	Brushless DC
Nominal voltage	12 V DC
Min. current consumption	0,7 A
Max. current consumption	2,0 A
Protection class	IP00
Motor bearing	Ball bearing
Electrical connection	Flex-Print connector, 11 poles, pitch 1,0 mm, top contact style

## General Data

Ambient temperature	-40 to 60 °C
Weight	0,15 kg
Direction of rotation	cw/ccw

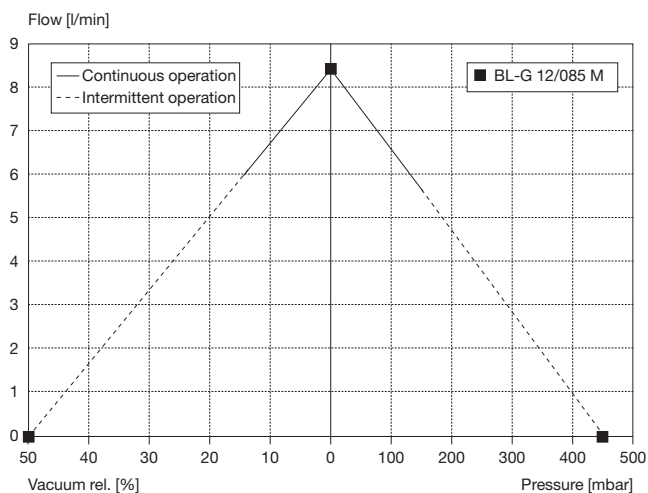
\* without electronics

All listed values are measured at standard atmospheric conditions.

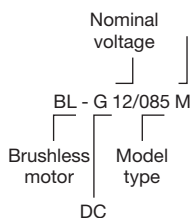
Please contact Thomas if further information regarding electrical connection and electronics is required.

Use provided mounting locations only. Do not allow force on either motor or pump head. Motor bearing can be damaged.

## Flow Curves



Model key:



50210 Stock programme  
 Current consumption:  
 Min.: at open flow  
 Max.: at max. intermittent vacuum

The information presented in this material is based on technical data and test results of nominal units. It is believed to be accurate and reliable and is offered as an aid to help in the selection of Thomas products. It is the responsibility of the user to determine the suitability of the product for the intended use and the user assumes all risk and liability whatsoever in connection therewith. Thomas does not warrant, guarantee or assume any obligation or liability in connection with this information.

## Pin allocation:

- Pin 1 4,5 - 18 VDC
- Pin 2 Hall sensor 3
- Pin 3 Hall sensor 1
- Pin 4 Hall sensor 2
- Pin 5 GND
- Pin 6 Motor winding 3
- Pin 7 Motor winding 2
- Pin 8 Motor winding 1

## Option:

Adaptor for Flex-Print connector to terminal board, part number 63003

BL-G 12/085 M 50210 including external electronics (63002) + adaptor (63003) for Flex-Print connector