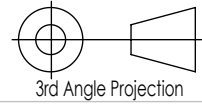


UNLESS OTHERWISE SPECIFIED
ALL DIMENSIONS ARE IN mm.

SURFACE FINISH: - Ra

Tolerances
Dim Precision Tolerance
0. +/-0.5
0.0 +/-0.1
0.00 +/-0.01
0.000 +/-0.001



FINISH: -

DEBUR AND
BREAK SHARP
EDGES

DO NOT SCALE DRAWING

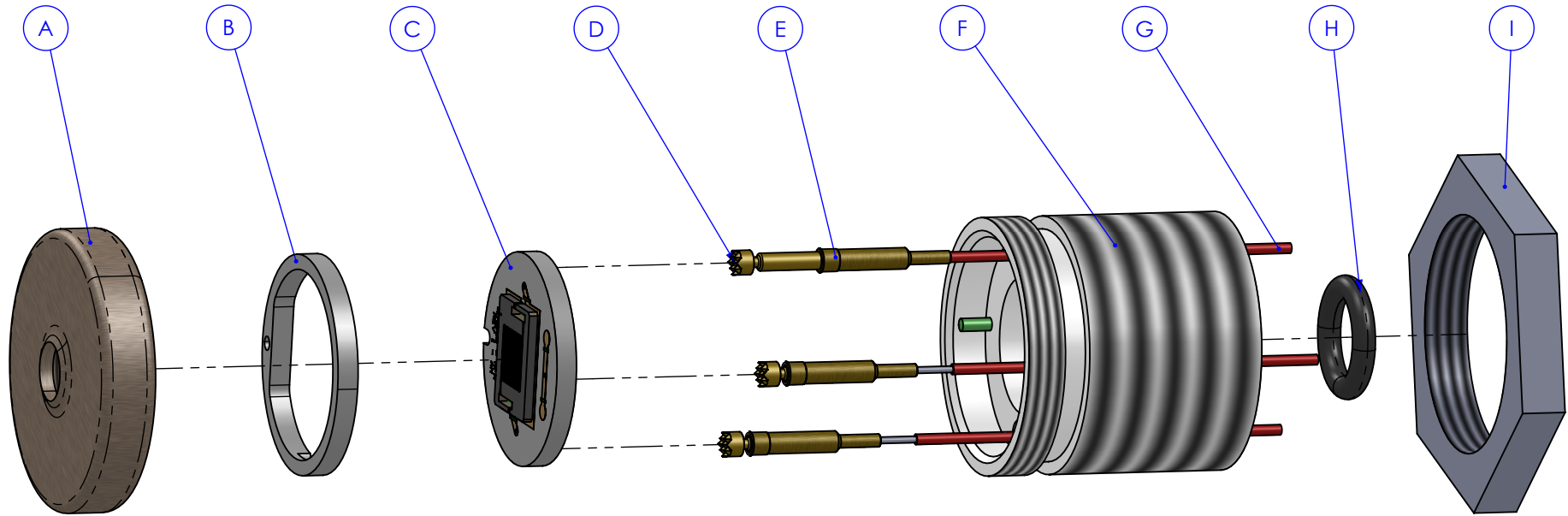
REVISION AAA

© This drawing is the property of Owlstone Ltd. it is to be regarded as strictly confidential and is not to be reproduced without written permission

	NAME	SIGNATURE	DATE		
DRAWN	AJT		01/10/13		
CHK'D					
APPV'D					
MFG					
Q.A				MATERIAL:	Various
				WEIGHT:	

TITLE:	Development FAIMS module	
DWG NO.	01-0393	A4
SCALE:1:1	SHEET 1 OF 2	

REVISIONS				
ZONE	REV.	DESCRIPTION	DATE	DRAWN BY
1	AAA		01/10/2013	AJT

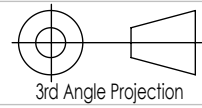


ITEM No	#	Description
A	1	FAIMS Chip Clamp
B	1	PTFE Seal Ring
C	1	FAIMS Chip and Carrier
D	3	Pogo Pin Serrated Head - PC6HX-2.0
E	3	Pogo Pin Receptacle - RC6S-G
F	1	Development FAIMS Chip Holder
G	3	RF Wires
H	1	O-Ring BS010
I	1	Nut M20 x 1.5

UNLESS OTHERWISE SPECIFIED
ALL DIMENSIONS ARE IN mm.

SURFACE FINISH: - Ra

Tolerances
Dim Precision Tolerance
0. +/-0.5
0.0 +/-0.1
0.00 +/-0.01
0.000 +/-0.001




FINISH: -

DEBUR AND BREAK SHARP EDGES

	NAME	SIGNATURE	DATE
DRAWN	AJT		01/10/13
CHK'D			
APPV'D			
MFG			
Q.A			

DO NOT SCALE DRAWING REVISION AAA

© This drawing is the property of Owlstone Ltd. it is to be regarded as strictly confidential and is not to be reproduced without written permission



TITLE: Development FAIMS module

DWG NO. 01-0393 A4